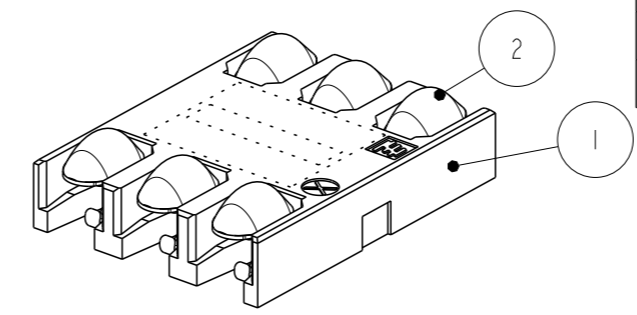
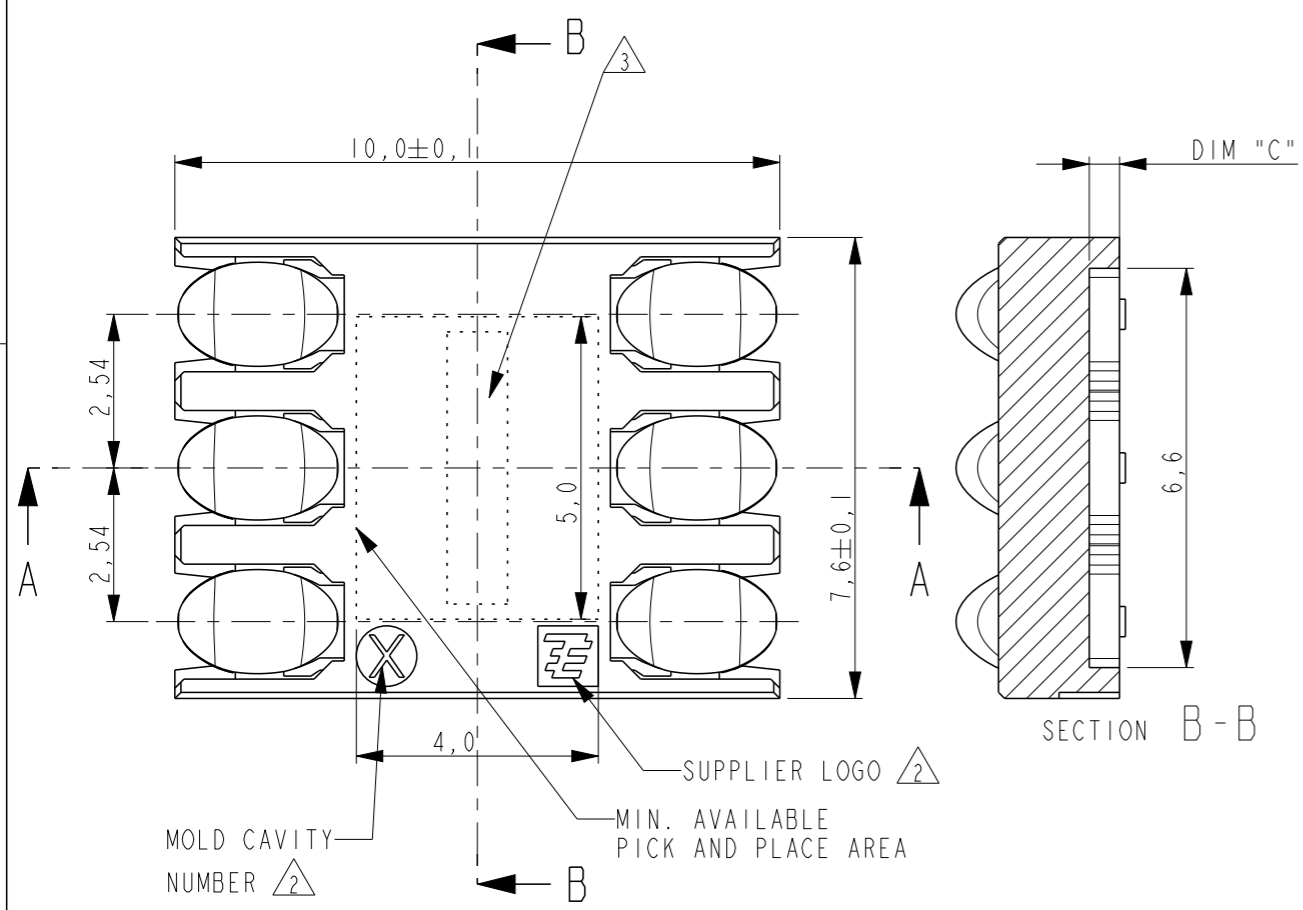
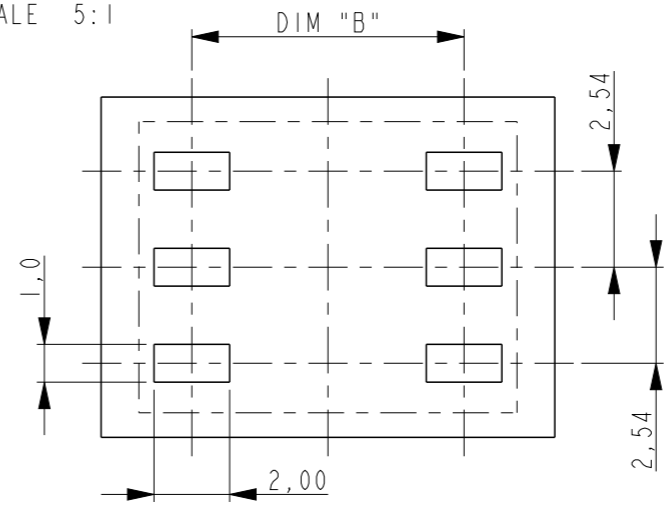


THIS DRAWING IS UNPUBLISHED. RELEASED FOR PUBLICATION  
 © COPYRIGHT - BY - ALL RIGHTS RESERVED.

P	LTR	DESCRIPTION	DATE	DWN	APVD
	K	REVISED	08FEB2018	M.T	K.K
	KI	REVISED PER ECR-18-009468	02JUL2018	R.Z	S.L



SCALE 5:1



RECOMMENDED PCB LAYOUT (REF.)  
SCALE 5:1

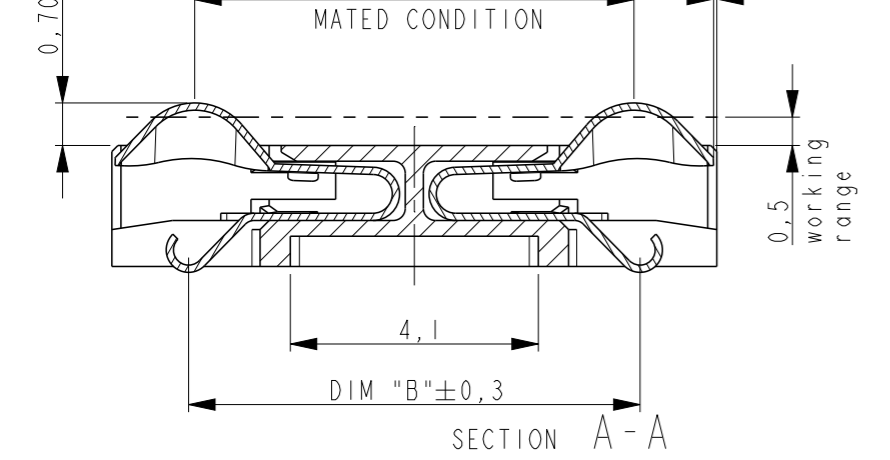
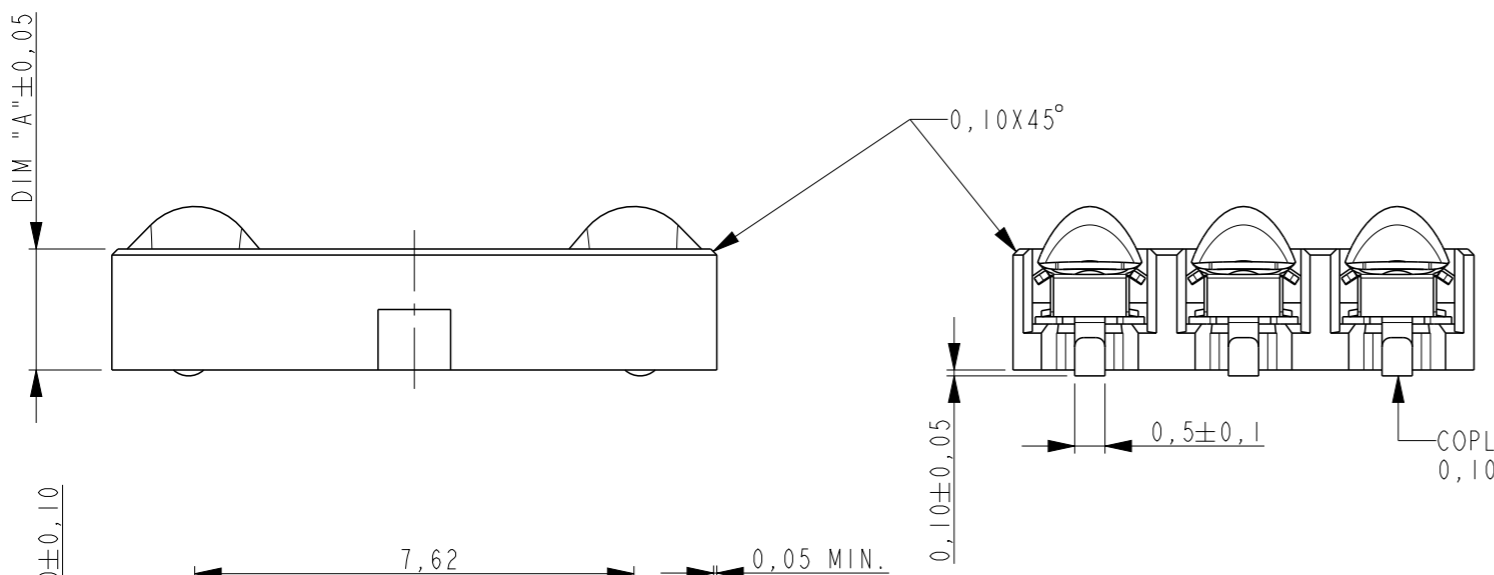
ITEM NO.	DESCRIPTION	MATERIAL	FINISH
2	CONTACT	COPPER ALLOY	SEE NOTES
1	HOUSING	GF LIQUID CRISTAL POLYMER	BLACK

PARTNUMBER	WEIGHT	DIM A	DIM B	DIM C
5-1705300-0	0,34	5,00	6,6	3,5
4-1705300-9	0,33	4,90	7,6	3,4
4-1705300-8	0,33	4,80	6,6	3,3
4-1705300-7	0,32	4,70	7,6	3,2
4-1705300-6	0,32	4,60	6,9	3,1
4-1705300-5	0,32	4,50	7,7	3,0
4-1705300-4	0,31	4,40	6,8	2,9
4-1705300-3	0,31	4,30	7,6	2,8
4-1705300-2	0,30	4,20	6,8	2,7
4-1705300-1	0,30	4,10	7,5	2,6
4-1705300-0	0,29	4,00	6,8	2,5
3-1705300-9	0,29	3,90	7,5	2,4
3-1705300-8	0,28	3,80	7,1	2,3
3-1705300-7	0,28	3,70	7,6	2,2
3-1705300-6	0,27	3,60	7,1	2,1
3-1705300-5	0,27	3,50	7,6	2,0
3-1705300-4	0,26	3,40	6,7	1,9
3-1705300-3	0,26	3,30	7,3	1,8
3-1705300-2	0,25	3,20	7,7	1,7
3-1705300-1	0,25	3,10	7,0	1,6
3-1705300-0	0,24	3,00	7,4	1,5
2-1705300-9	0,24	2,90	7,7	1,4
2-1705300-8	0,23	2,80	6,9	1,3
2-1705300-7	0,23	2,70	7,2	1,2
2-1705300-6	0,23	2,60	7,5	1,1
2-1705300-5	0,22	2,50	7,7	1,0
2-1705300-4	0,22	2,40	7,1	0,9
2-1705300-3	0,21	2,30	7,3	0,8
2-1705300-2	0,20	2,20	7,3	0,7
2-1705300-1	0,20	2,10	7,5	0,6
2-1705300-0	0,20	2,00	7,5	0,5
1-1705300-9	0,19	1,90	7,6	0,4
1-1705300-8	0,19	1,80	7,7	0,3
1-1705300-7	0,18	1,70	7,8	0,2
1-1705300-6	0,18	1,60	7,8	0,1
1-1705300-5	0,18	1,50	7,8	0,0

NOTES:

- 1 CONTACT PLATING:  
1,2µm NICKEL UNDERLAYER  
1,25µm MIN. GOLD AT CARD SIDE  
0,1-0,2µm GOLD AT SOLDER SIDE
- 2 MARKINGS ON RECESSED AREA
- 3 LASER PRINTED: EXAMPLE: 3104 AH:  
DAY 3, WEEK 10, YEAR 2004,  
PRODUCTIONLINE A, PRODUCTION DRAWING REVISION H
- 4 PACKAGING INFO SEE SHEET 2.
- 5 OBSOLETE



2-1705300-0 AS SHOWN

THIS DRAWING IS A CONTROLLED DOCUMENT.		DWN W. Jansen 17-Sep-03
DIMENSIONS: mm		CHK W. Jansen 17-Sep-03
TOLERANCES UNLESS OTHERWISE SPECIFIED:		APVD P. Jaeger 17-Sep-03
0 PLC ±-	1 PLC ±0,1	PRODUCT SPEC 108-19280
2 PLC ±0,05	3 PLC ±-	APPLICATION SPEC 114-19092
4 PLC ±-	ANGLES ±-	WEIGHT gram
MATERIAL see notes material_2	FINISH see notes finish_spec_2	CUSTOMER DRAWING

2	CONTACT	COPPER ALLOY	SEE NOTES
1	HOUSING	GF LIQUID CRISTAL POLYMER	BLACK

ITEM NO. DESCRIPTION MATERIAL FINISH

**STE** TE Connectivity

NAME: SIM CONNECTOR 5 DIRECTIONAL 6 positions

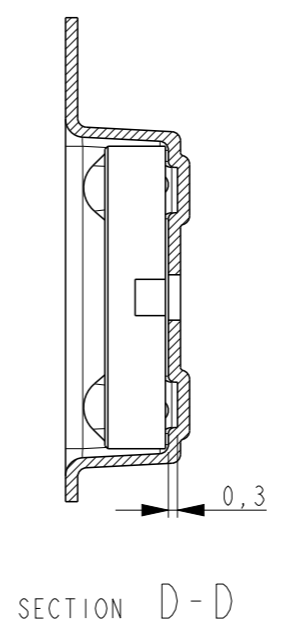
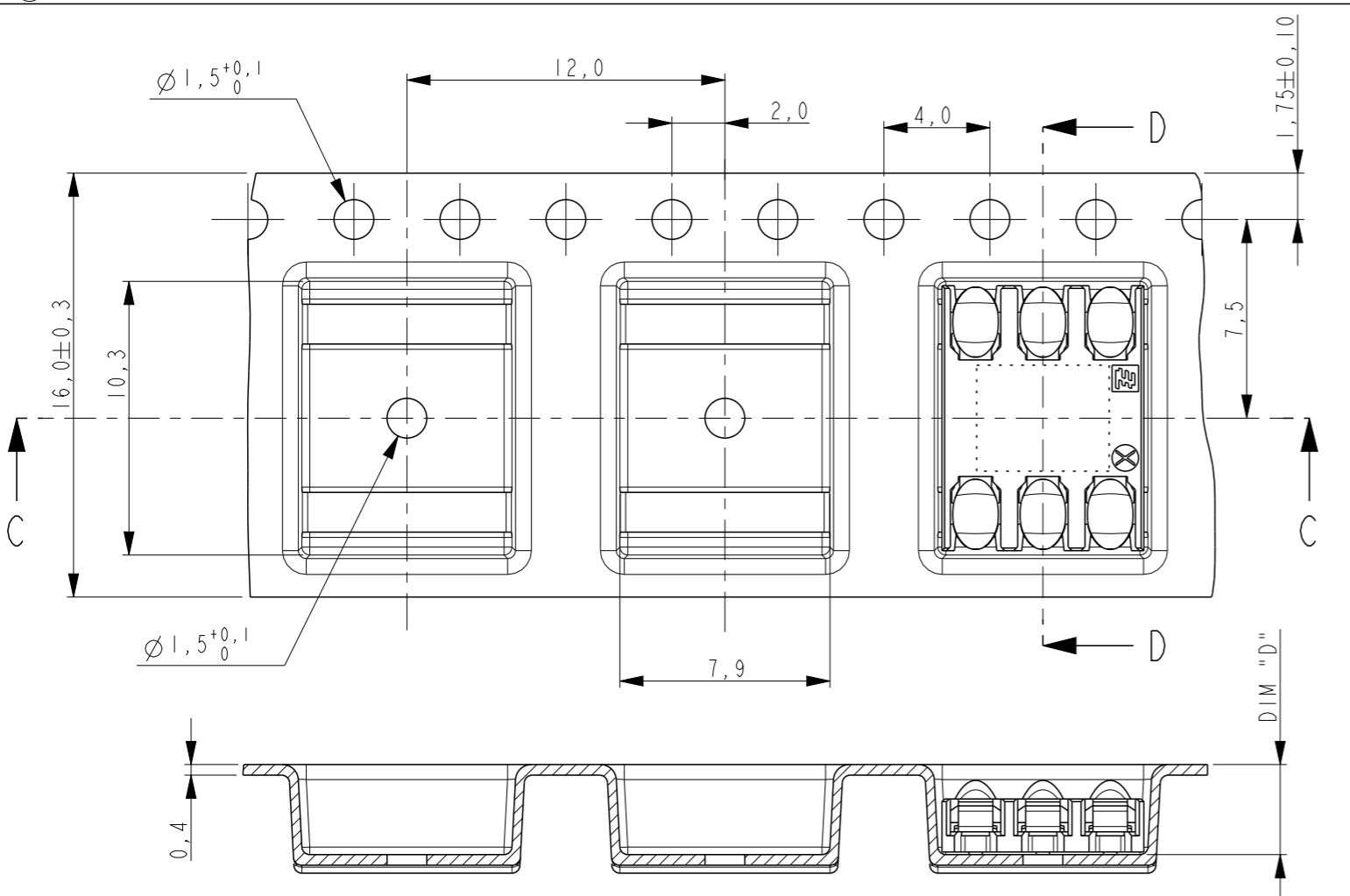
SIZE	CAGE CODE	DRAWING NO	RESTRICTED TO
A3	00779	©-1705300	

SCALE 8:1 SHEET 1 OF 2 REV KI

THIS DRAWING IS UNPUBLISHED. RELEASED FOR PUBLICATION  
 © COPYRIGHT - BY - ALL RIGHTS RESERVED.

REVISIONS

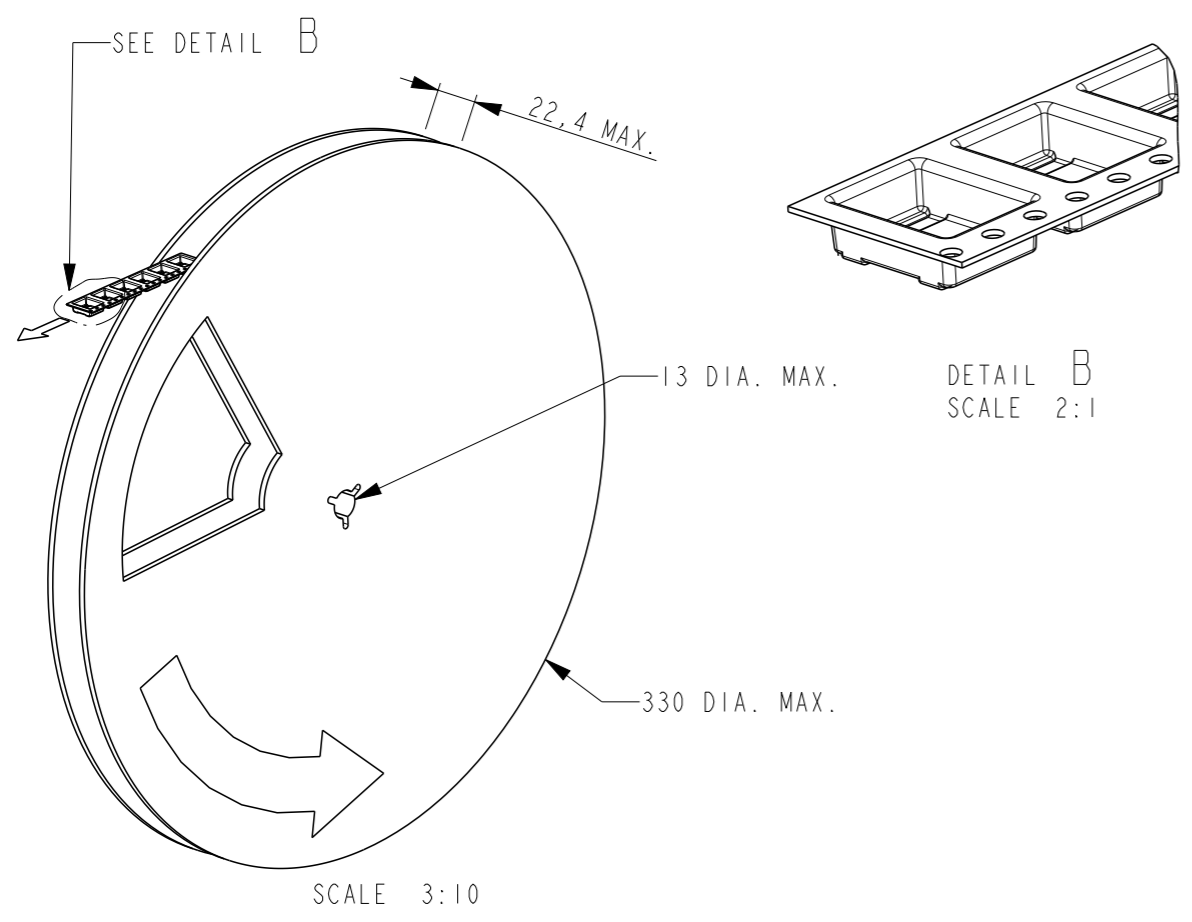
P	LTR	DESCRIPTION	DATE	DWN	APVD
	-	SEE SHEET 1			



SECTION C-C

SECTION D-D

5=1705300-0	6,4	800
4=1705300-9	6,4	800
4=1705300-8	6,4	800
4=1705300-7	6,4	800
4=1705300-6	6,4	800
4=1705300-5	6,4	800
4=1705300-4	5,4	950
4=1705300-3	5,4	950
4=1705300-2	5,4	950
4=1705300-1	5,4	950
4=1705300-0	5,4	950
3=1705300-9	5,4	950
3=1705300-8	5,4	950
3=1705300-7	5,4	950
3=1705300-6	5,4	950
3=1705300-5	5,4	950
3=1705300-4	4,4	1150
3=1705300-3	4,4	1150
3=1705300-2	4,4	1150
3=1705300-1	4,4	1150
3=1705300-0	4,4	1150
2=1705300-9	4,4	1150
2=1705300-8	4,4	1150
2=1705300-7	4,4	1150
2=1705300-6	4,4	1150
2=1705300-5	4,4	1150
2=1705300-4	3,4	1450
2=1705300-3	3,4	1450
2=1705300-2	3,4	1450
2=1705300-1	3,4	1450
2=1705300-0	3,4	1450
1=1705300-9	3,4	1450
1=1705300-8	3,4	1450
1=1705300-7	3,4	1450
1=1705300-6	3,4	1450
1=1705300-5	3,4	1450
PARTNUMBER	DIM "D"	PRODUCTS/REEL



DETAIL B  
SCALE 2:1

NOTES:

- △ THE FIRST 33 POCKETS ARE EMPTY AND THE LAST 13 POCKETS ARE EMPTY.  
ONE REEL CONTAINS X PRODUCTS (SEE TABLE).
- △ OBSOLETE

2-1705300-0 AS SHOWN

DESCRIPTION	MATERIAL	COLOUR
SEALED COVER TAPE	PET/PE	TRANSPARENT
EMBOSSED CARRIER TAPE	PS	GREY
REEL	PS	GREY

THIS DRAWING IS A CONTROLLED DOCUMENT.		DWN -	 TE Connectivity
DIMENSIONS: mm		CHK -	
TOLERANCES UNLESS OTHERWISE SPECIFIED:		APVD -	
0 PLC ±- 1 PLC ±0,1 2 PLC ±0,05 3 PLC ±- 4 PLC ±- ANGLES ±-		PRODUCT SPEC 108-19280 APPLICATION SPEC 114-19092	
MATERIAL see notes material_2	FINISH see notes finish_spec_2	WEIGHT gram	NAME SIM CONNECTOR 5 DIRECTIONAL 6 positions SIZE A3 CAGE CODE 00779 DRAWING NO C-1705300
CUSTOMER DRAWING		SCALE 8:1	RESTRICTED TO

WEIGHT	gram	SIZE	A3	CAGE CODE	00779	DRAWING NO	C-1705300
CUSTOMER DRAWING		SCALE	8:1	SHEET	2 OF 2	REV	K1